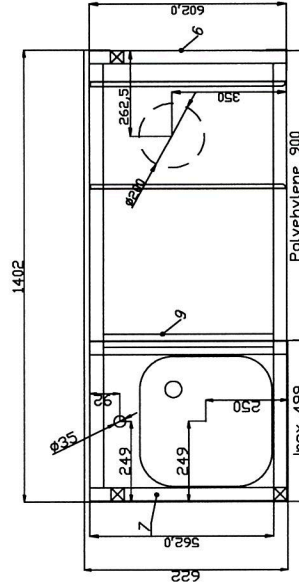
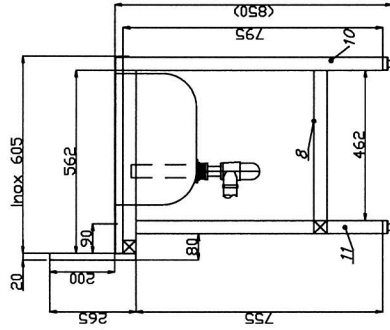
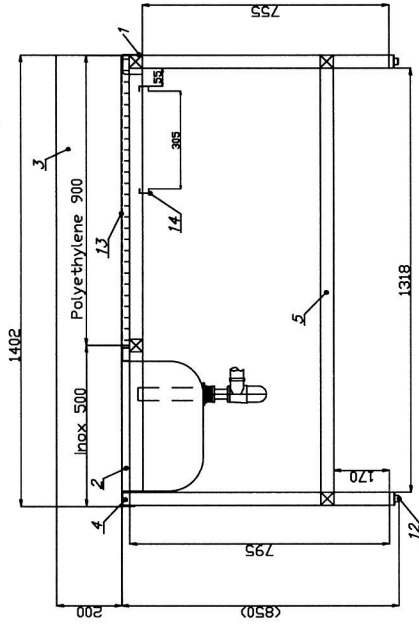
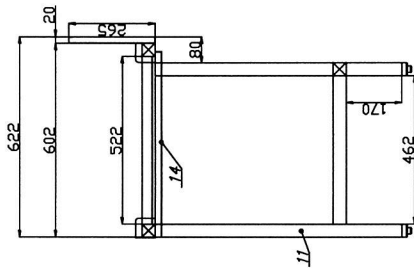


# M-STPP146-25 - 26-27 KG



No drawing	Name	Material	qty
1	M-STPP146-25.01 Plate for polyethylene	1.4301	2
2	M-STPP146-25.02 Working top 500x605x40	1.4301	1
3	M-STPP146-25.03 Back splash 1402x265x20	1.4301	1
4	M-STPP146-25.04 Reinforcing profil For working top L=600	1.4301	3
5	Tube 40x40x1 L=1318	1.4301	1
6	Tube 40x40x1 L=602	1.4301	1
7	Tube 40x40x1 L=562	1.4301	1
8	Tube 40x40x1 L=462	1.4301	2
9	Tube 40x40x1 L=520	1.4301	1
10	Tube 40x40x1 L=795	1.4301	1
11	Tube 40x40x1 L=755	1.4301	4
12	Adjustable feet	PVC+Inox	6
13	Polyethylene 900x600x25 - L2G		
14	Guide for GN 1/1 L=577	1.4301	2

304